

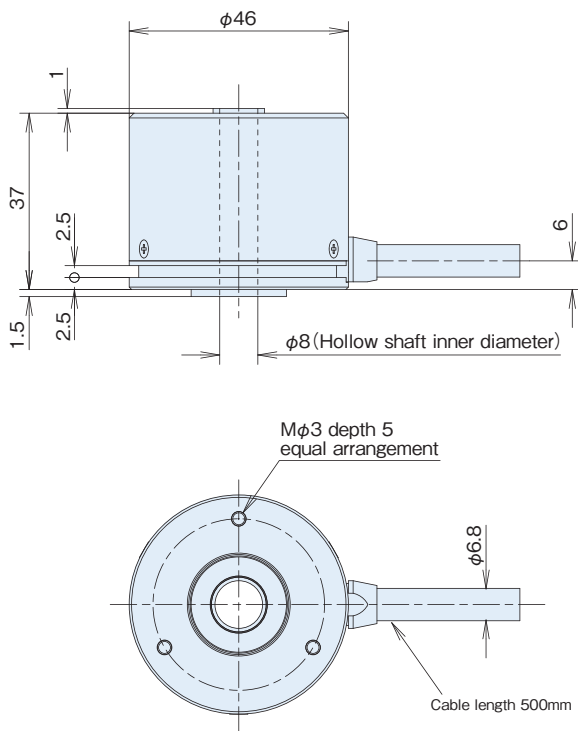
MXH-36 series

[Slim multi-revolution absolute encoder]

- ▶ Outside dimensions $\phi 46 \times 37\text{mm}$
- ▶ Resolution 1,024 \times 256, mechanical multi-revolution, no battery backup required



Outside dimensions



Specifications

Item	Type name	MXH-36-256-1024GC5N
Supply voltage		1:DC5V \pm 5% 2:DC12V -10% ~24V $+15\%$
Current consumption		150mA or less (under no load)
Resolution		Single-revolution part: 1,024 divisions/ Multi-revolution part: 256 revolutions
Output		Parallel output (Gray code or pure binary code)
Output circuit		NPN open collector output
Output logic		Standard: Negative logic (*Positive logic selection is available)
Allowable rotation (mechanical)		5000r/min $^{-1}$ (instantaneous)
Maximum response frequency		40kHz (10kHz at guaranteed accuracy)
Shaft allowable load (electrical)	Radial	19.6N (2kgf)
	Thrust	9.8N (1kgf)
Working temperature/humidity		-10°C ~ 60°C /RH35%~90%
Storage temperature		-20°C ~ 80°C
Vibration resistance		Durability 55Hz, double amplitude 1.5mm 2 hours each in X, Y, and Z directions
Vibration resistance		Durability 11msec (about 50G) 3 times each in X, Y, and Z directions
Cable		Outside diameter $\phi 6.8$ 0-core vinyl wire Insulated shield cable (length 500mm)
Mass		150g or less (excluding cable)

Connection

Cable color	Output signal	Cable color	Output signal
Brown	2 ⁰	Purple	2 ¹⁰
Brown/Black	2 ¹	Purple/Black	2 ¹¹
Orange	2 ²	Gray	2 ¹²
Orange/Black	2 ³	Gray/Black	2 ¹³
Yellow	2 ⁴	White	2 ¹⁴
Yellow/Black	2 ⁵	White/Black	2 ¹⁵
Green	2 ⁶	Red	Vcc
Green/Black	2 ⁷	Black	COMMON
Blue	2 ⁸	Shield(*)	Cable shield
Blue/Black	2 ⁹	—	—

(*)shielding cable is non-connected in encoder.