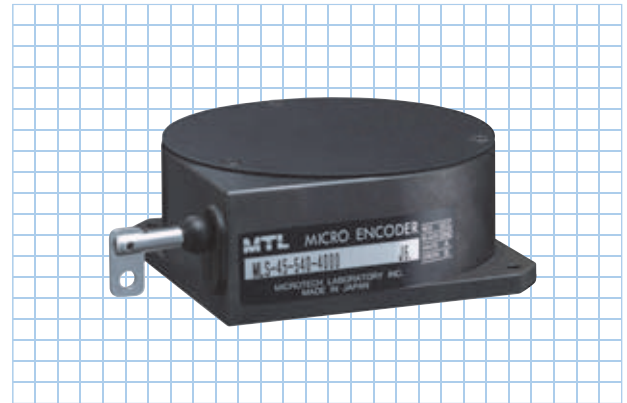


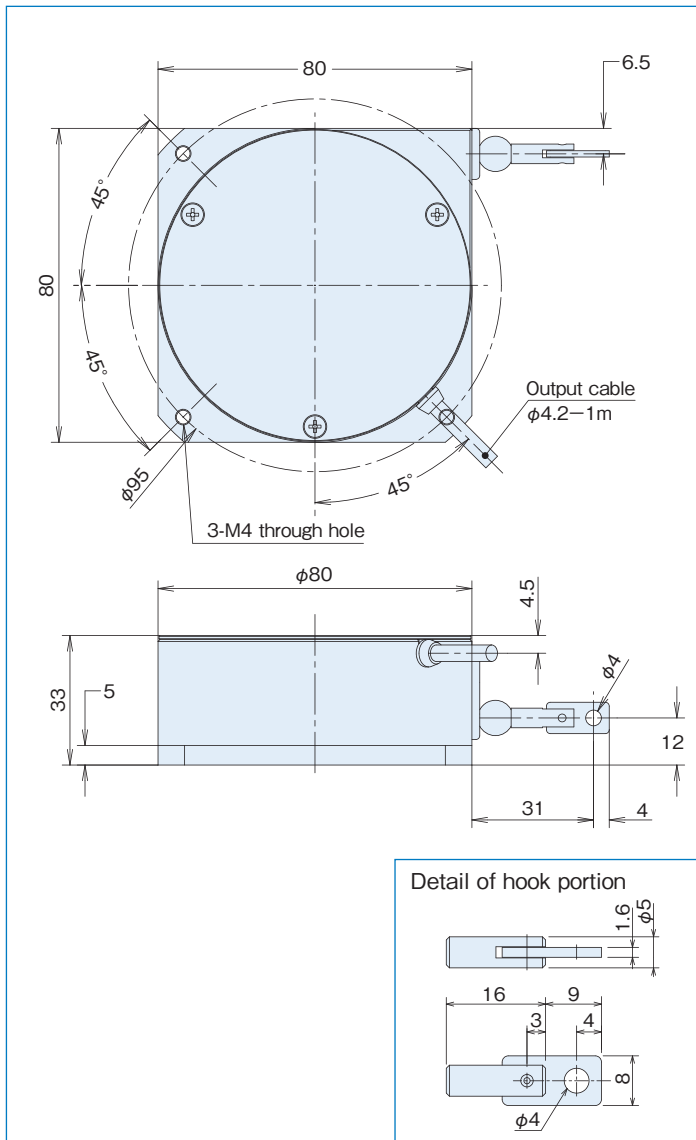
MLS-45 series

[Wire-Type Linear Scale]

- Outside dimensions ■80×33mm
- Length measurement resolution: 0.4mm/ 0.04mm,
Length measurement distance: 2,000mm/ 4,000mm

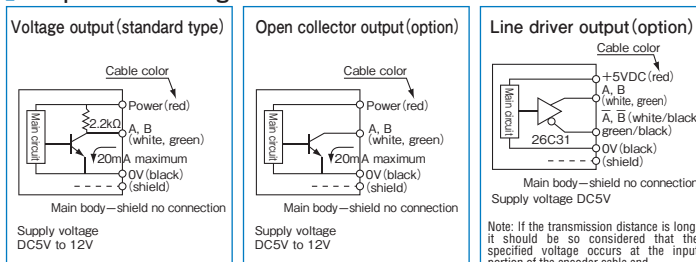


Outside dimensions



Note: Usage warning: The wire may stop midway through retracting. When this happens, slowly pull out the full length and then slowly retract again before using.

Output circuit diagram



Specifications

Type name	MLS-45- <input type="text"/> - <input type="text"/> -2000-4000
Item	Pulse number Output circuit ●N3=entry=voltage output ●C=open collector output ●E=line driver output ●C4=open collector output DC24V
Measuring range	2000mm, 4000mm
Supply voltage	DC5V-5%~12V+10% DC24V±10% (option) Line driver:DC5V±5%
Current consumption	70mA or less (under no load)
Length measurement resolution (output pulse count)	0.4mm (540P/R)、 0.04mm (5400P/R)
Stroke speed	500mm/sec
Wire tensile force	2.94N~7.84N (300gf~800gf)
Absolute accuracy	±0.1%FS
Output circuit (※)	Voltage output (Blank), open collector output (C), Line drive output (E) (note 1) open collector output DC24V (C4)
Output phase	A phase, B phase
Output form	Square wave
Output capacity	Sink current 20mA or less, residual voltage 0.5V or less
Maximum response frequency (Number of response pulses)	100kHz
Output phase	A, B phase difference 90°±45°
Working ambient temperature/humidity	0°C~50°C / RH35%~90%
Storage ambient temperature	-20°C~80°C
Vibration resistance	Durability 55Hz, double amplitude 1.5mm 2 hours each in X, Y, and Z directions
Impact resistance	Durability 500m/s ² (about 50G) 3 times each in X, Y, and Z directions
Cable	Outside diameter φ4.2 4-core (8-core) Insulated shield cable (length 1000mm)
Mass	700g or less (excluding cable)

※ Refer to the DC Series for the counter specification.
(Note 1) 3-M4 PCD95 can also be used as a φ3.5 hole for M3 mounting.

Output waveform

