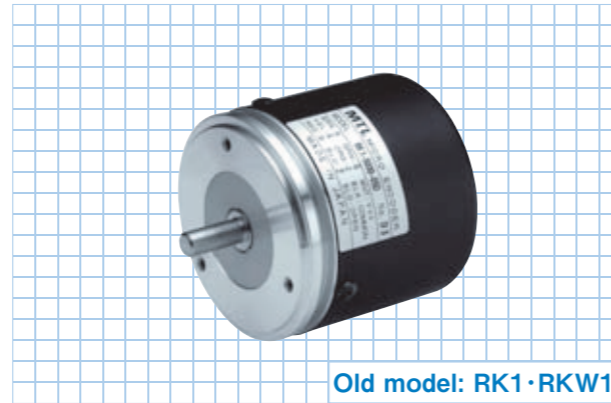


# MES-45 series

[Square Wave/Incremental]

- Old model: RK1/RKW1
- Strong type
- Environment resistance

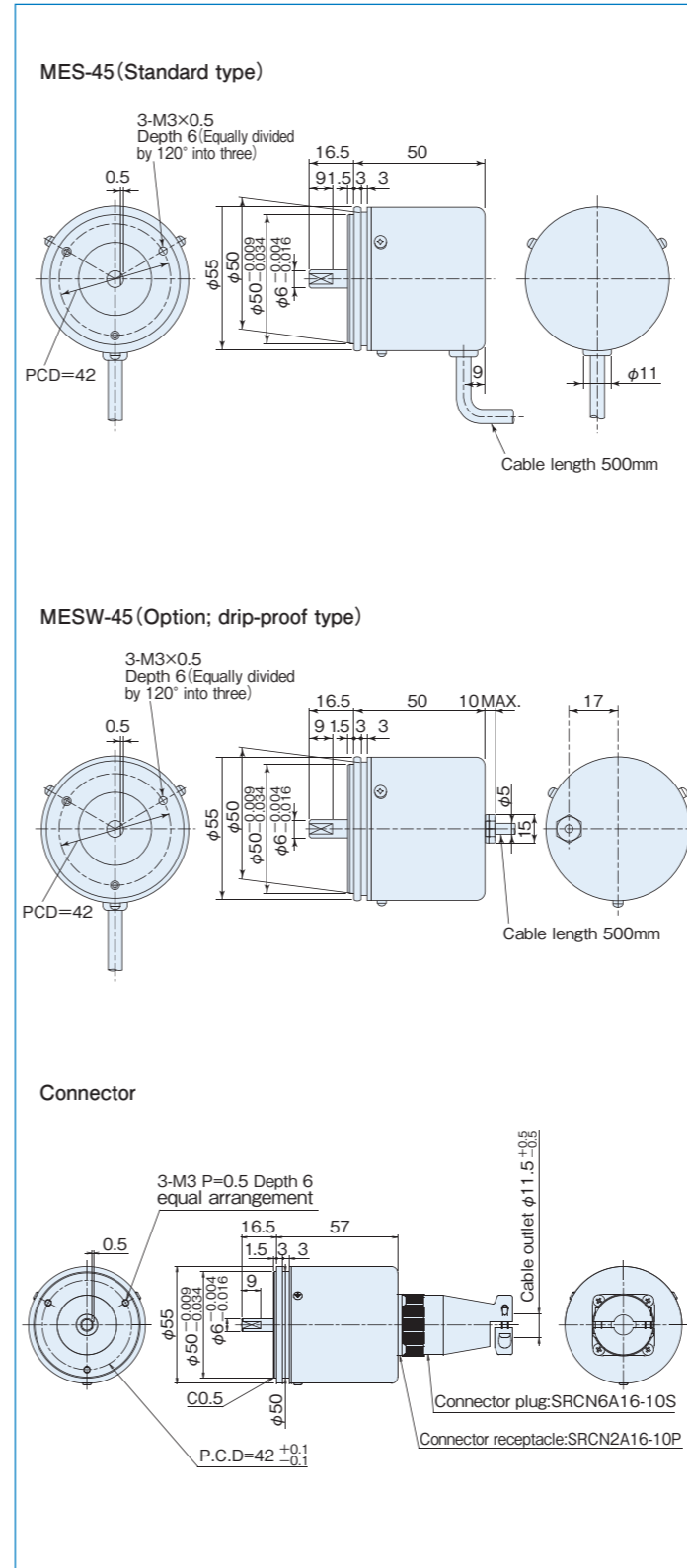


Old model: RK1·RKW1

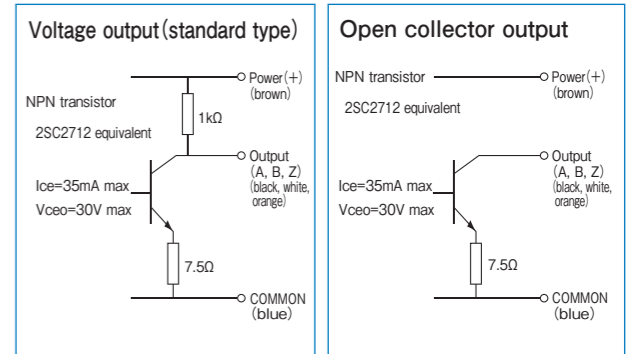
## Specifications

Item	Type name	Resolution	Input voltage	Output circuit
	MES-45-1000-05C	1000	5V	C
		●No entry=standard type ●W=drip-proof type	●05=5V ●12=12V ●24=24V	●No entry=voltage output ●C=open collector output ●D=differential driver output
Supply voltage	DC5V -5%~12V+10% (voltage output/differential driver output) DC5V -5%~24V+15% (open collector output)			
Current consumption	120mA max (voltage output) 100mA max (open collector output) 150mA max (differential driver output: driver no load)			
Output pulse number (Standard)	360	1,024	3,000	
[Pulse number/rotation]	500	1,200	3,200	
	512	1,500	3,600	
	600	1,800	4,096	
	720	2,000	5,000	
	800	2,048	6,000	
	1,000	2,500	9,000	
Maximum response frequency	200kHz			
Allowable load of shaft (electrical)	Radial	49.0N (5kgf)		
	Thrust	29.4N (3kgf)		
Maximum allowable revolutions (mechanical)	6,000r/min			
Working ambient temperature/humidity	-10°C~70°C/ RH95% max no dewing			
Storing ambient temperature	-30°C~80°C			
Vibration resistance	Durability 0-500Hz, double amplitude 1.52mm 2 hours each in X, Y, and Z directions			
Impact resistance	Durability 490m/s <sup>2</sup> (about 50G) 3 times each in X, Y, and Z directions			
Cable	Outside diameter φ5 5-core vinyl wire AWG28 Insulated shield cable (length 500mm)			
Mass	280g			

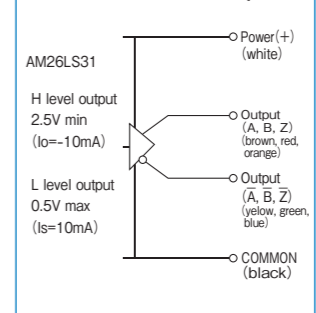
## Outside dimensions



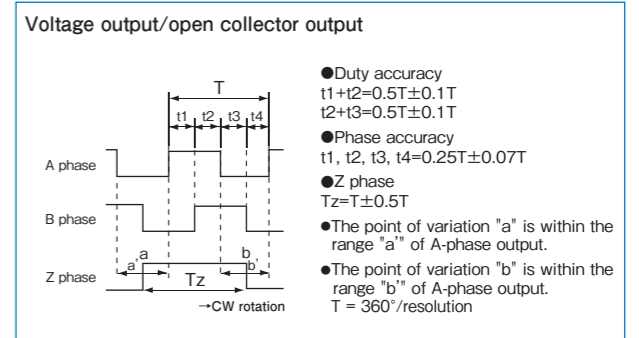
## Output circuit diagram



## Differential driver output



## Output waveform



## Differential driver output

