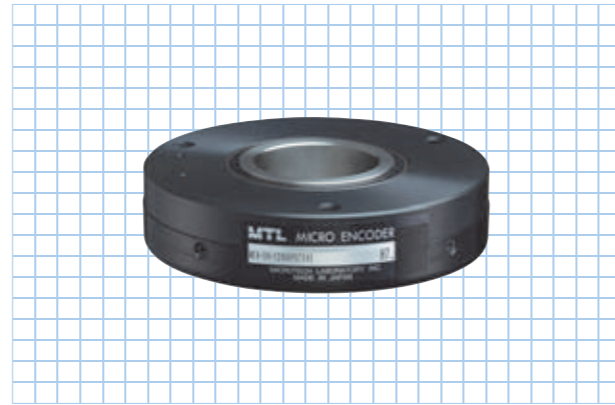


MEH-59 series

[Square Wave/Incremental]

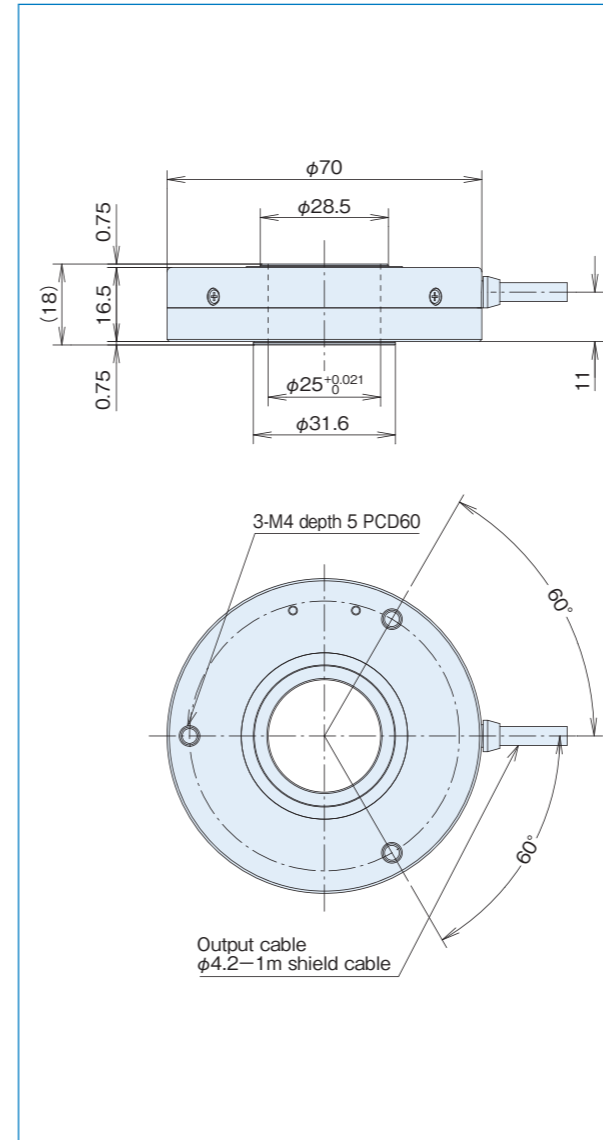
- Outside dimensions $\phi 70 \times 16.5$ mm Incremental encoder
- Resolution 648000(12960 \times 50), Hollow shaft $\phi 25$



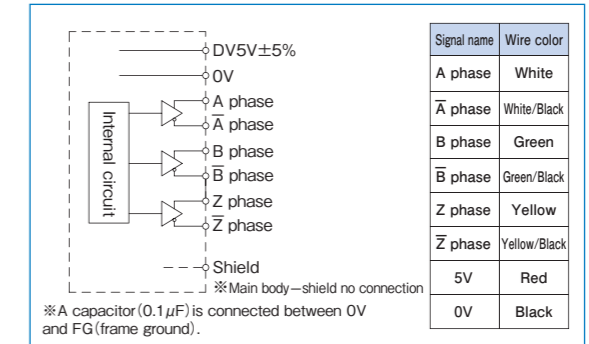
Specifications

Type name	MEH-59-12960PSTN□E ($\times 1, \times 2, \times 4, \times 5, \times 8, \times 10, \times 16, \times 20, \times 32$)	MEH-59-12960PSTG□E ($\times 25, \times 32, \times 50$)
Detection system	Incremental	
Output phase	A, \bar{A} , B, \bar{B} , Z, \bar{Z} phase CS phase(U, \bar{U} , V, \bar{V} , W, \bar{W})	
Output form	Square, Line driver output	
Resolution	1024(1024 \times 1), 2048(1024 \times 2) 4096(1024 \times 4), 5120(1024 \times 5) 8192(1024 \times 8), 10240(1024 \times 10) 16384(1024 \times 16), 20480(1024 \times 20) 32768(1024 \times 32)	324000(12960 \times 25) 414720(12960 \times 32) 648000(12960 \times 50)
Supply voltage	DC5V \pm 5%	
Current consumption	150mA or less (under no load)	
Maximum response frequency	5MHz	
Maximum allowable revolutions	1000rpm (electrical)	
Allowable load of shaft (electrical)	Radial	9.8N (1.0kg)
	Thrust	4.9N (0.5kg)
Working ambient temperature/humidity	-10 $^{\circ}$ C \sim +70 $^{\circ}$ C / RH35% \sim 90% (no dewing)	
Storing ambient temperature	-20 $^{\circ}$ C \sim +80 $^{\circ}$ C	
Vibration resistance	Durability 55Hz, double amplitude 1.5mm 2 hours each in X, Y, and Z directions	
Impact resistance	Durability 50G 3 times each in X, Y, and Z directions	
Cable	Outside diameter $\phi 4.2$ 8-cores shield cable AWG30 (length 1m) *without CS phase: 14-cores	
Mass	200g	

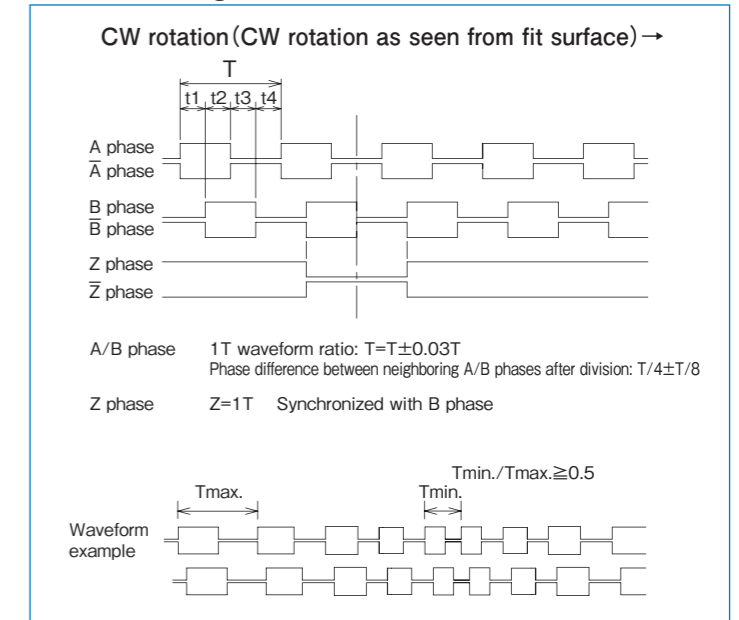
Outside dimensions



Output circuit diagram and connection diagram



Connection diagram



Spring flange MEH-60 (Option)

