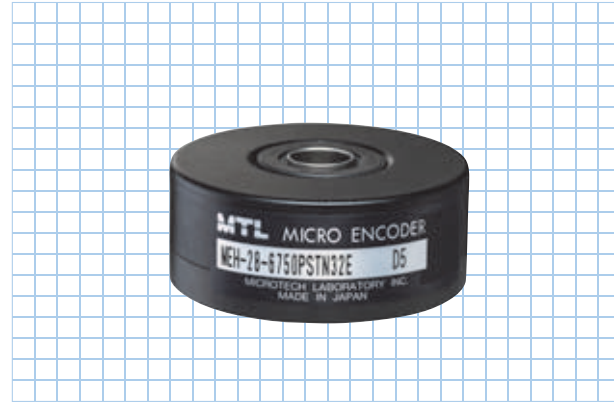


MEH-28 series

[Square Wave/Incremental]

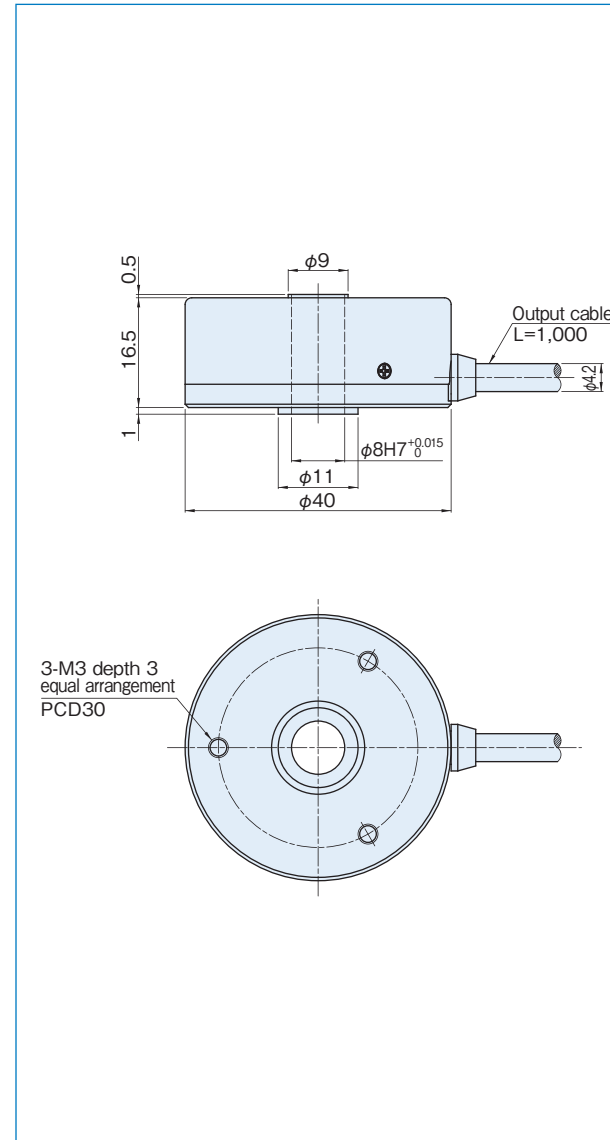
- Outside dimensions $\phi 40 \times 16.5\text{mm}$
- Through Shaft



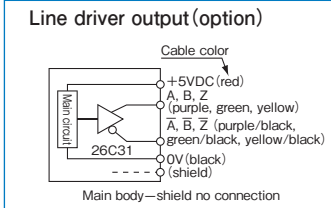
Specifications

Type name	MEH-28-6750 PSTN□E
Item	
Detection system	Incremental
Output phase	A, \bar{A} , B, \bar{B} , Z, \bar{Z} phase CS phase (U, \bar{U} , V, \bar{V} , W, \bar{W})
Output form	Square, Line driver output
Output pulse number (P/R)	6750, 13500 (6750×2), 27000 (6750×4) 33750 (6750×5), 54000 (6750×8), 67500 (6750×10) 108000 (6750×16), 135000 (6750×20), 216000 (6750×32)
Output	Phase difference between neighboring A/B phases: $T/4 \pm T/8$ Waveform ratio of 1T: $T \pm 0.3t$ Z phase width: $T \pm T/2$ (Synchronized with 1T of B phase)
Supply voltage	DC5V±5%
Current consumption	150mA or less
Maximum response frequency	50kHz × division ratio (2, 4, 5, 8, 10, 16, 20, 32)
Output capacity	Output current (Io): $\pm 20\text{mA}_{\text{max}}$ Output voltage Vol: 0.5V _{max} , VoH: 2.5V _{min} .
Maximum allowable revolutions	6000r/min
Working ambient temperature/humidity	-10°C ~ +70°C / RH35% ~ 90% no dewing
Storing ambient temperature	-20°C ~ +80°C
Vibration resistance	Durability 55Hz, double amplitude 1.5mm 2 hours each in X, Y, and Z directions
Impact resistance	Durability 50G 3 times each in X, Y, and Z directions
Cable	Outside diameter $\phi 4.2$ 8cores shield cable (without CS phase: 14-cores) AWG30
Mass	80g (excluding cable)

Outside dimensions



Output circuit diagram

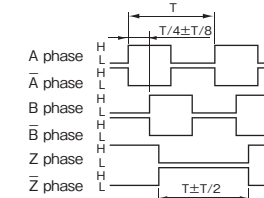


Note: If the transmission distance is long, it should be so considered that the specified voltage occurs at the input portion of the encoder cable end.

A capacitor (0.1μF) is connected between 0V and FG (frame ground).

Output waveform [×1]

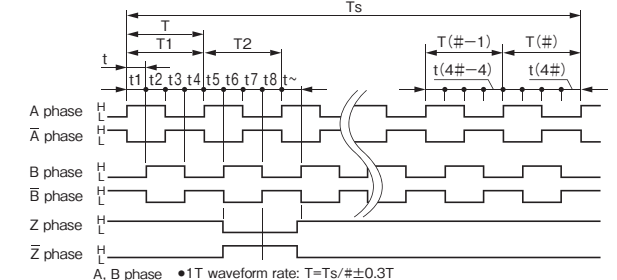
CW rotation (CW rotation as seen from fit surface)



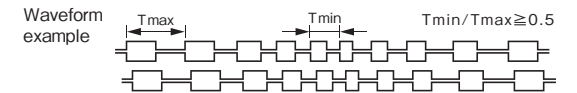
*The position of Z phase against A, B phase is not specified.

Output waveform / Built-in multiplication circuit (×2·×4·×5·×8·×10·×16·×20·×32)

CW rotation (CW rotation as seen from fit surface)



- 1T waveform rate: $T = T_s / \# \pm 0.3T$
- Phase difference between neighboring A and B phases in # divisions: $T/4 \pm T/8$
- T/4 waveform ratio: $t1$ to $t(4\#) = t \pm 0.3t$
- Z phase: $Z = 1.0T$ (synchronized with B phase)



Spring flange MEH-28 (Option)

