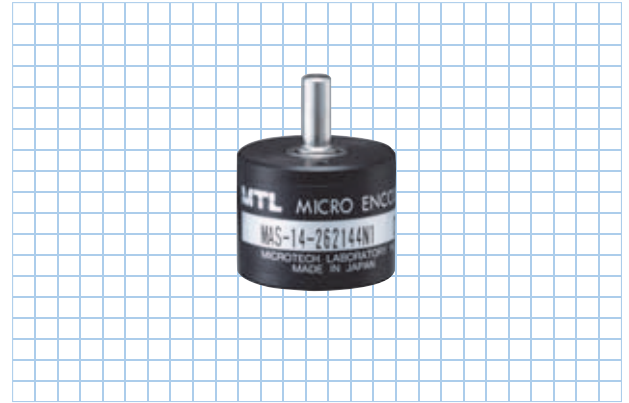


MAS-14 series

[Absolute]

- Outside dimensions: $\phi 21 \times 16.5\text{mm}$
- Resolution: 18bit, SSI interface



Specifications

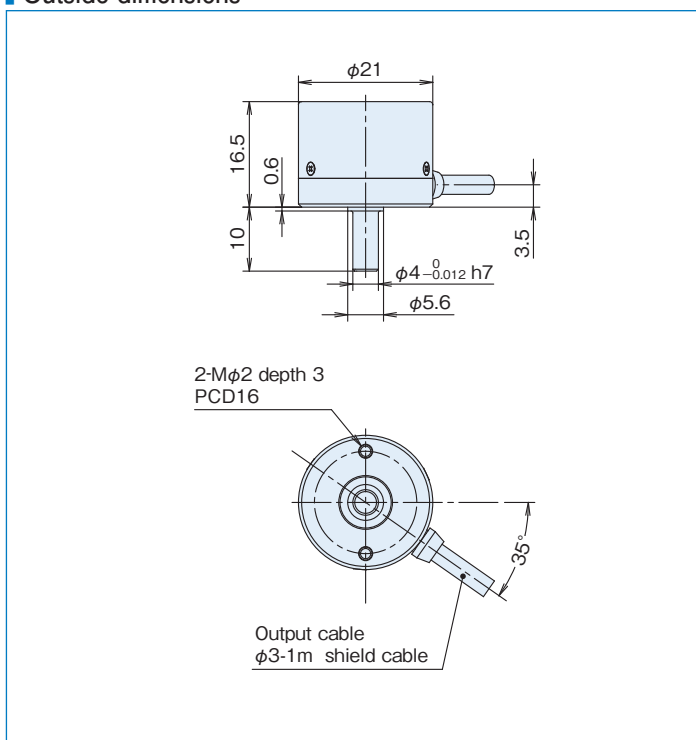
Type name	MAS-14- <input type="text"/> N1
Item	
Supply voltage	DC5V \pm 5%
Current consumption	100mA or less (under no load)
Resolution	32,768 (15bit), 65,536 (16bit), 131,072 (17bit), 262,144 (18bit)
Allowable rotation	6000r/min
Allowable load of shaft (electrical)	Radial 0.98N (100gf)
	Thrust 1.9N (200gf)
Working temperature/humidity	-10°C~70°C / RH35%~90% no dewing
Storage temperature	-20°C~80°C
Vibration resistance	Durability 55Hz, double amplitude 1.5mm 2 hours each in X, Y, and Z directions
Impact resistance	Durability 500m/s ² (about 50G) 3 times each in X, Y, and Z directions
Cable	Outside diameter $\phi 3$ 6-core vinyl wire Insulated shield cable AWG28 (length 1m)
Mass	30g (excluding cable)
Communication method	RS-422 Communication (four-wire) SSI Format

Decoder specifications (37×37 PCB)

Type name	DECODER- $\triangle\triangle$ bit
Item	
Supply voltage	DC5V \pm 5%
Current consumption	60mA or less (160mA or less including encoder)
Parallel data update cycle	60 μ s (16.7kHz)
Output circuit	NPN open collector output (when using parallel output)
Output capacity	Sink current 20mA or less Load voltage 35V or less Residual voltage 0.4V or less
Logic	Negative logic (H=0, L=1)
Connection	Power supply and parallel signal output by P=2.54 header pins (see diagram below)

$\triangle\triangle$: 15, 16, 17, 18 (corresponding to the encoder resolution)

Outside dimensions



Decoder Outside dimensions (Option)

